



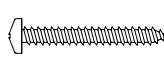

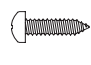


INSTALLATION INSTRUCTIONS FOR NON-PREHUNG STORM DOOR

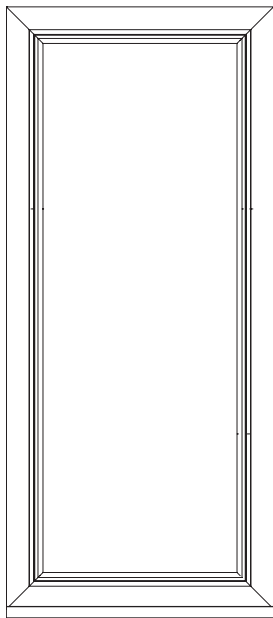
Tools & Materials You Will Need:

• Measuring Tape	• Hammer
• Level	• Hacksaw
• Pliers	• Drill Bits - $\frac{3}{32}$ ", $\frac{5}{16}$ "
• Power drill	• Square
• Stiff Utility Knife	• Pencil
• Soft Mallet	• Phillips and flathead screwdrivers

Installation Screw Packs:

				
(1) pk #8 x 1/2" Phillips washer head screws	(1) pk #7 x 1" Phillips panhead screws	1) pk #6 x 1" Phillips panhead screws	(1) pk #8 x 1 1/2" Phillips truss head screws	(12) #6 x 1/2" Phillips panhead screws - color matched
For hinge size z-bar mounting onto door slab on both leaf & piano	For hinge side of leaf z-bar mounted onto jamb	For exterior mounting of z-bar frame for both leaf and piano hinge z-bars	For hinge side of piano z-bar mounted onto jamb	Ten for astragal and two for bottom expanders

REMEMBER: ALWAYS USE THE APPROPRIATE PERSONAL PROTECTIVE EQUIPMENT.



Your Package Should Contain The Following Components:

Door slab with bottom expander attached to bottom of door slab. Installation z-bars, screw cap covers, vinyl sweeps and hardware kit will ship inside door carton separately from door slab.



www.thehouseofwindows.com

301-577-8100

Version 4.2 - 06/05/09 - © 2009 ProVia Door - S-MK-30065



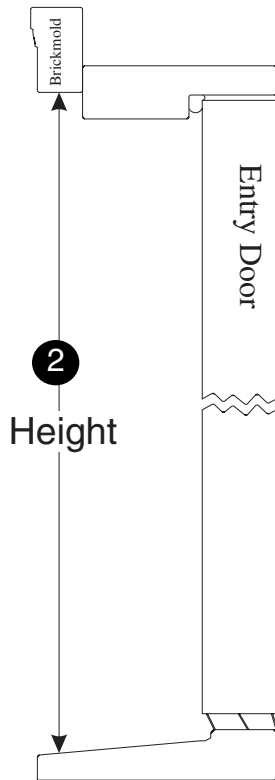
2150 State Route 39, Sugarcreek, OH 44681

330.852.4711 330.852.2107 fax

www.proviadoor.com

1

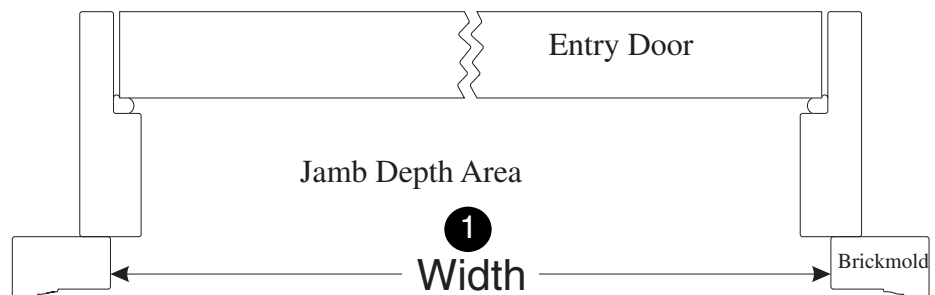
MEASURE & INSTALL



Step 1 - Opening Width: Take three measurements from the inside of the brickmold: top, center and bottom of opening. Round the smallest measurement to the nearest 1/8", then RECORD THIS MEASUREMENT.

Step 2 - Opening Height: Take three measurements from top of the opening to the sill: left, center, and right of opening. Round the smallest measurement to the nearest 1/8", then RECORD THIS MEASUREMENT.

Note: Take all measurements from outside the house.



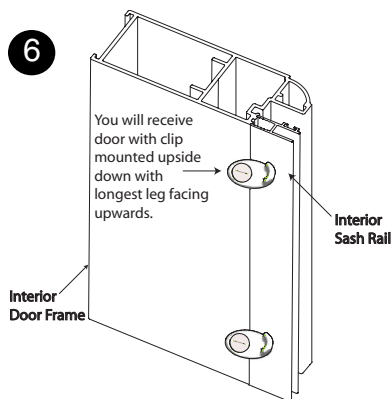
1234567.001	1234567.001
ORDER SIZE: 32 x 80	PKUP 150
901001 - PROVIA DOOR	LOAD: 10/06
MODEL: 397-DELUXE FULL VIEW	
PO #: KLINK/WENGERD	TAG#: BACK
JOB: KLINK/WENGERD	SUGARCREEK
Quality Check	
397-01 31 1/8 x 79 1/8	
3	
<input checked="" type="checkbox"/> screw covers	
<input checked="" type="checkbox"/> screen	
<input checked="" type="checkbox"/> TAG: BACK	
<input checked="" type="checkbox"/> Right Hinged Pre-Hung	
<input checked="" type="checkbox"/> Snow Mist White	
<input checked="" type="checkbox"/> DH230 RH AB Contemporary Lever	
<input checked="" type="checkbox"/> Prep Left for Handleset (Std 39")	
<input checked="" type="checkbox"/> DH305 White Hd Touch'hold Closer	
2 STD	SD1006A

Step 3 - With the recorded measurements, verify with bar coded label on cardboard box and paperwork to make sure the size and order information is correct.

Step 4- Carefully unpackage the door, cut straps and remove cardboard.

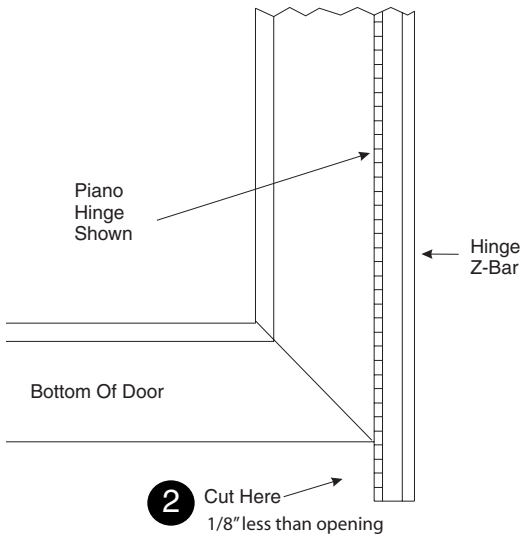
Step 5- Lay door flat down with exterior side down.

Step 6- Remove glass and screen insert(s). Important! You will receive the door with sash and screen mounted into door frame and secured with sash/screen clip mounted upside down. Remove the mounted clips and lay aside being careful not to lose the clips. There will be extra sash/screen clips with thumbscrews inside the hardware box to secure the sash/screen at each rivnut location. Due to shipping restrictions, minimal sash/screen clips are mounted onto the door in production line. See Step 9 on page 7 for remounting the sash/screen clips appropriately.



Note: If Eastern Z-Bar is ordered, a 1/4" spacer has been attached to the rear side of the z-bar. At installation, drill 1/8" holes through spacer using the installation holes in the z-bar as a guide.

2 MEASURE FOR Z-BAR HEIGHT

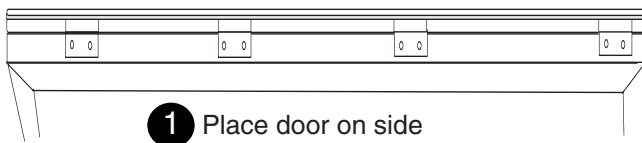


Step 1- If you purchased a door with handleset prep, double check the location of the handleset prep and make sure it does not interfere with the prime entry door handleset.

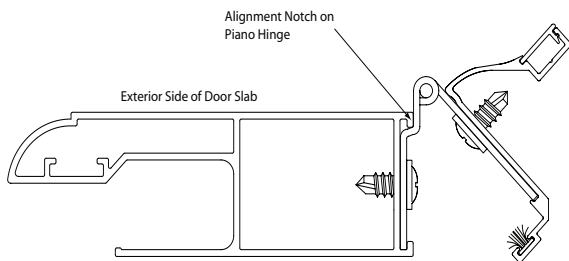
Step 2- Subtract 1/8" from opening height measurement. Using this result, measure the hinge and latch side z-bars from the top of the door. There are 2" of excess z-bar at the bottom of the door. Your measurement will fall in this area. Mark and cut the z-bars (see illustration).

Step 3 -Wipe door slab down with a soft cloth to remove any metal burrs.

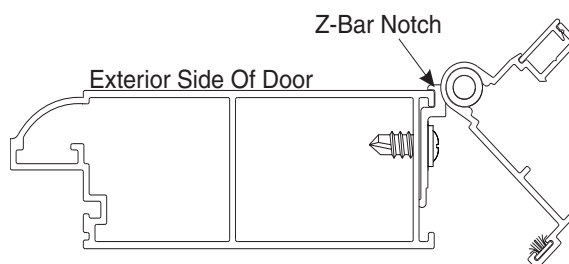
3 ATTACHING HINGE SIDE Z-BAR



Piano Hinge Z-Bar



Leaf Hinge Z-Bar



Piano Hinge Type:

Step 1 - Position door onto its side.

Step 2- Position z-bar 1/8" above door and attach using #8 x 1/2" Philips washer head screws through countersunk holes located on piano hinge. If more support is needed, additional screws can be added at this time

Leaf Hinge Type:

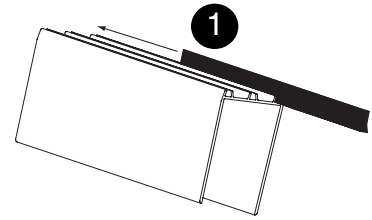
Step 1- Position door onto its side.

Step 2 -Position z-bar 1/8" above door and attach using #8 x 1/2" Philips washer head screws. POSITION OF LEAF HINGE NOTCH MUST STRADDLE OUTSIDE DOOR EDGE (see illustration).

4 INSTALLING BOTTOM EXPANDER

Step 1- Insert the vinyl sweep(s) into groove(s) at the bottom of the expander and pull it to the other end.

Note: The vinyl sweep is packaged in the hardware kit. If the vinyl sweep has become kinked during shipment, place it in boiling water for 3 minutes and the sweep will return to its original shape.

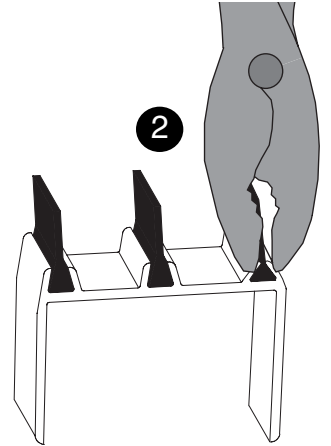


Step 2- Pinch the ends of the sweep groove(s) with pliers so the sweep will not pull out (see illustration)

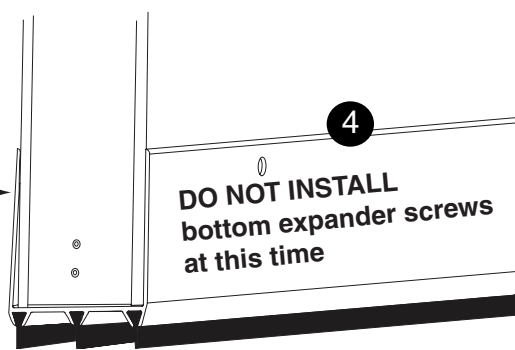
Step 3- Cut off the excess vinyl with scissors or a knife.

Step 4- Slide the bottom expander over the bottom of the door, pushing it onto the door as far as it will go.

Step 5- **Do not install the screws.** The screws will be installed at time of final adjustment.

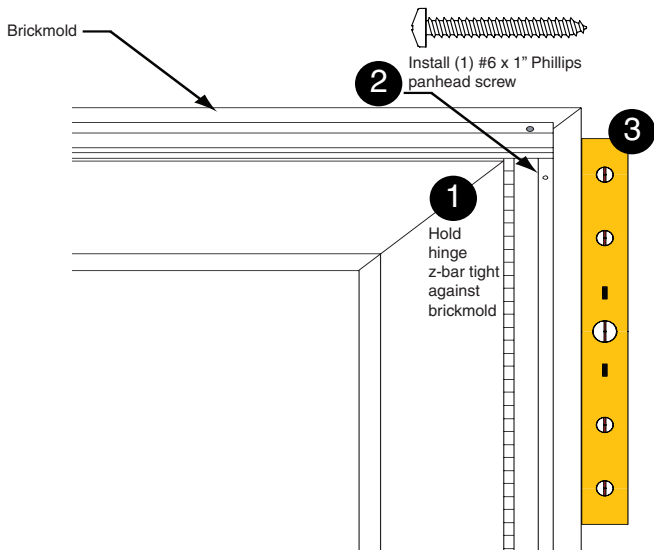


The side of the expander which has the slope is the exterior side



5 INSTALLING DOOR INTO OPENING

Note: It is very important to make sure door is centered into opening. It may be necessary to shim behind the z-bars in order to properly center the door.



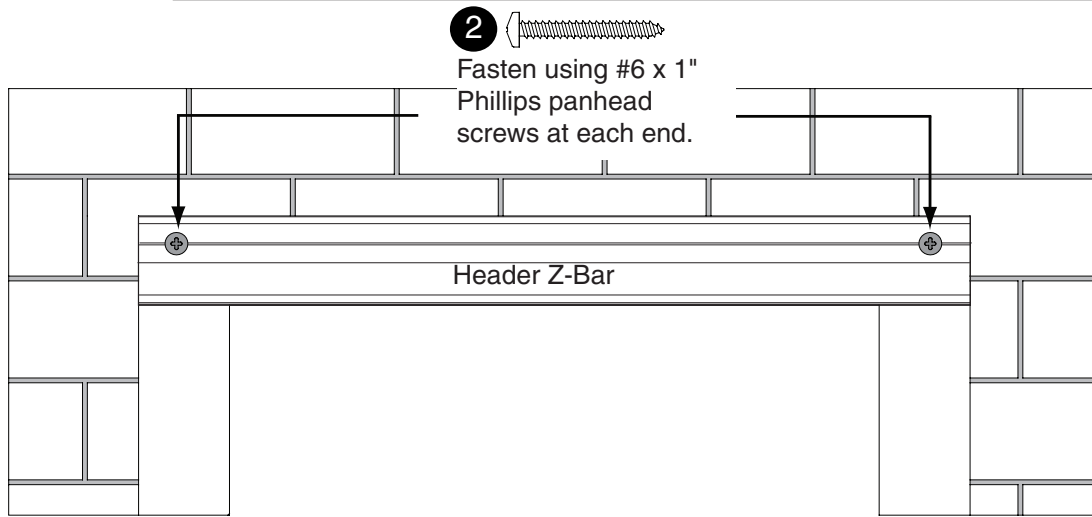
Step 1- Tilt the door into the opening making certain to center the door.

Step 2- Hold the door firmly in position and drill a $\frac{3}{32}$ " pilot hole through the very top of hinge side z-bar mounting hole and install (1) #6 x 1" screw.

Step 3- Using a level, make sure the z-bar runs straight up and down, then drill and install the remaining screws.

5 INSTALLING DOOR INTO OPENING

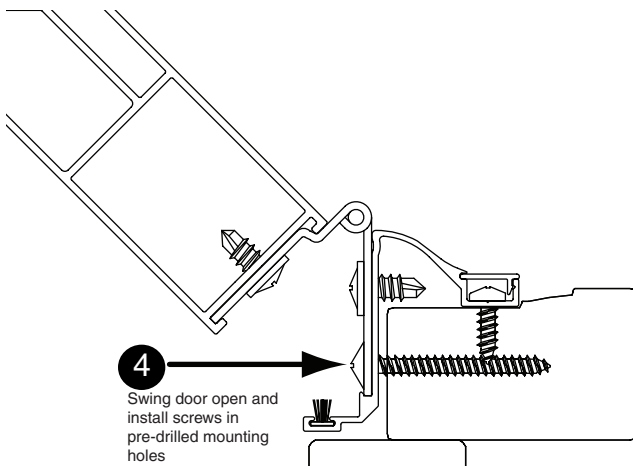
Note: If Z-Bar build out (formerly called Eastern Z-Bar Adapter) is ordered, a 1/4" spacer has been attached to the rear side of the z-bar. At installation, drill 1/8" holes through spacer using the installation holes in the z-bar as a guide.



Attaching Header Z-Bar

Step 1- Holding the z-bar header in place, drill a 3/32" pilot hole into the top trim board or brickmold through header mounting hole, maintaining approximately 1/8" clearance between z-bar header and door.

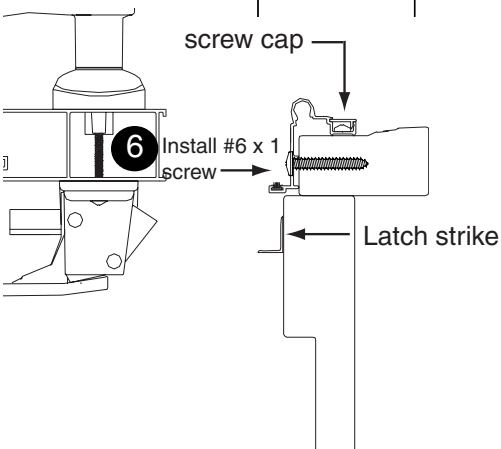
Step 2- Fasten the header firmly in place using #6 x 1" screws.



For Leaf Hinge:



For Piano Hinge:



Attaching Hinge Side Z-Bar

Step 3- Check and make sure the door operates properly.

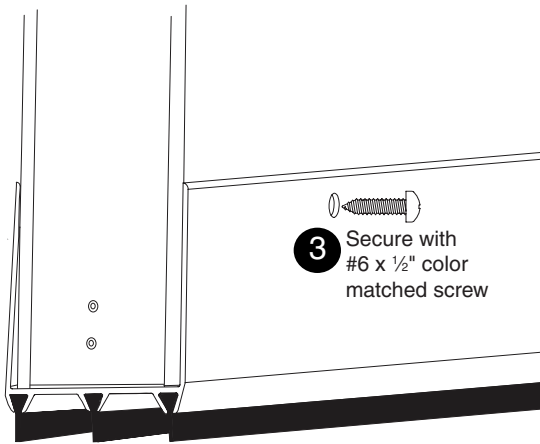
Step 4- With the door open, locate the pre-drilled mounting holes in the z-bar and drill 3/32" pilot holes through the mounting holes and install:

Attaching Latch Side Z-Bar

Step 5- Cut and install latch side z-bar maintaining approximately 1/16" clearance between the door and z-bar.

Step 6- Fasten with #6 x 1" screws

6 FINAL ADJUSTMENTS TO BOTTOM EXPANDER

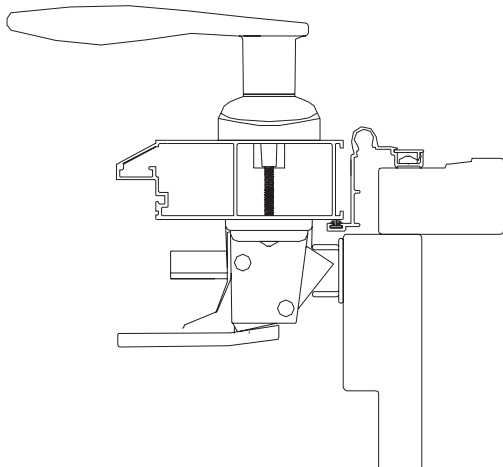


Step 1- Adjust bottom expander.

Step 2- Center pilot hole in slot of expander.

Step 3- Secure with (2) #6 x 1/2" color matched screws.

7 INSTALLING HARDWARE KIT



Step 1- Remove Template from handleset box and read manufacturer's instructions carefully.

Note: If you ordered a door already handleset prepped, you will not need to drill for template holes.

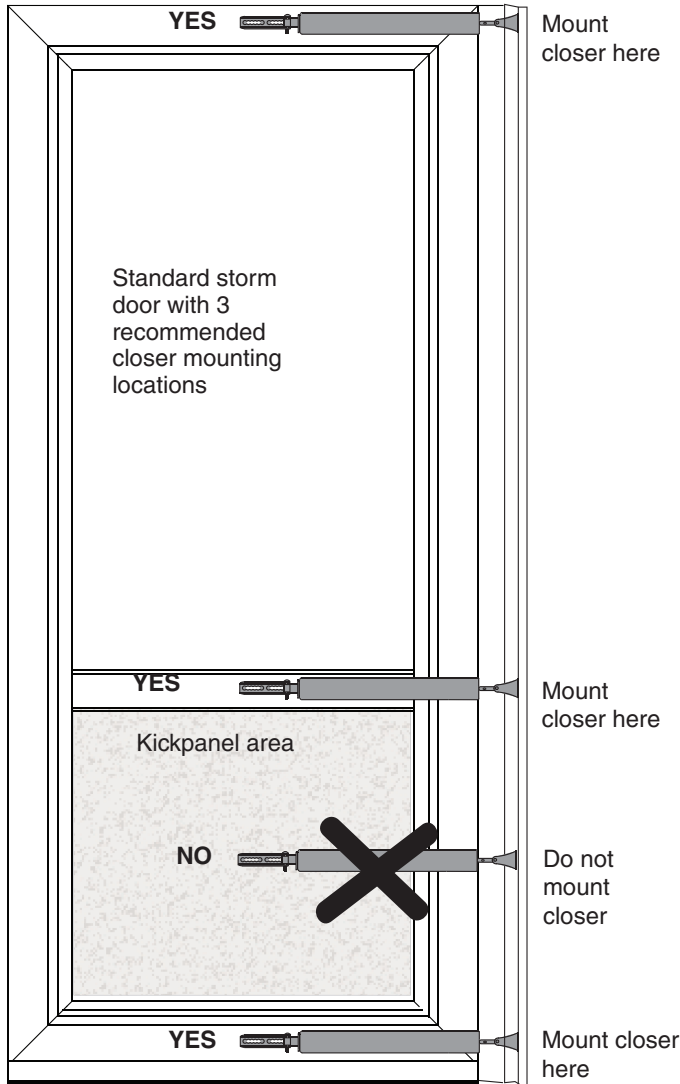
Step 2- Before drilling for handleset template, make certain the door slab is square in the opening and the location of the handleset will not interfere with the prime entry door handleset.

Step 3- Proceed with installation of handleset.

8

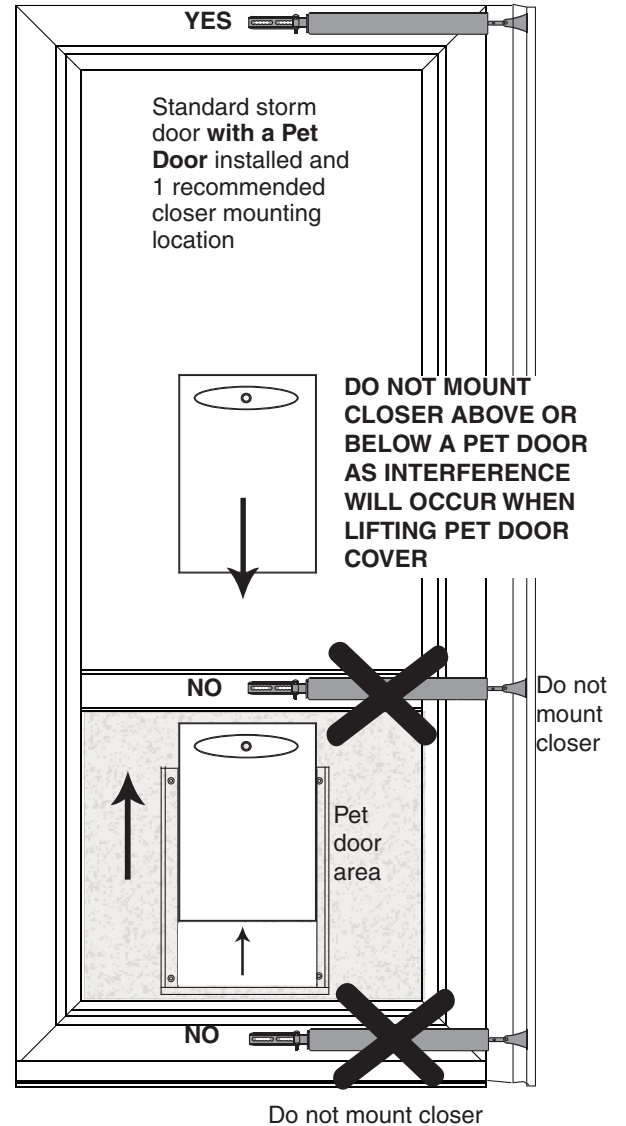
INSTALLING CLOSER KIT

STANDARD CLOSER INSTALLATION



PET DOOR CLOSER INSTALLATION

Mount closer **ONLY AT TOP OF DOOR FRAME**

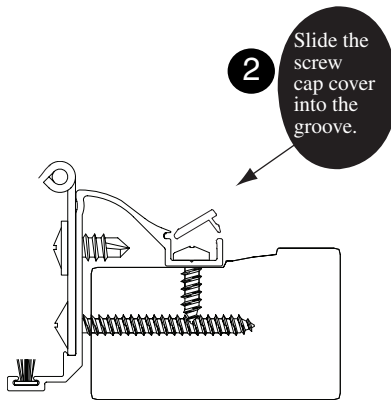
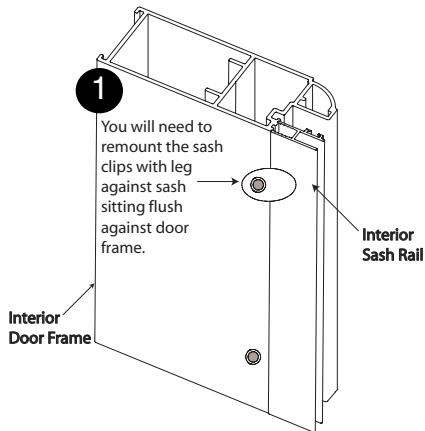


Step 1- Install closer according to manufacturer's instructions in the closer box. **DO NOT INSTALL CLOSER ABOVE A PET DOOR. DO NOT INSTALL A CLOSER ON A KICKPANEL.** See above illustrations for correct mounting locations.

Step 2- Adjust closer for the winter or summer setting by following the instructions from the manufacturer inside the closer box.

9

FINAL ADJUSTMENTS



Step 1- Re-insert glass or screen insert(s). Remount the sash/screen clips with the longest leg securing the sash/screen to frame of door. Additional sash/screen clips will be found inside the hardware box.

Step 2- Cut screw cap covers with a hacksaw sized to length of the z-bars for both vertical and horizontal pieces.

Step 3- Insert screw cap covers by using a soft mallet or gently tap the screw cap cover into the channel.

Step 4 -Close door and inspect for proper fit and lock up.

Note: Soap or other non-oily product can make the screw cap covers easier to install.